

SPILLWAY FOR 20 YEAR STORM  
(CONCRETE OR PLASTIC FILM)

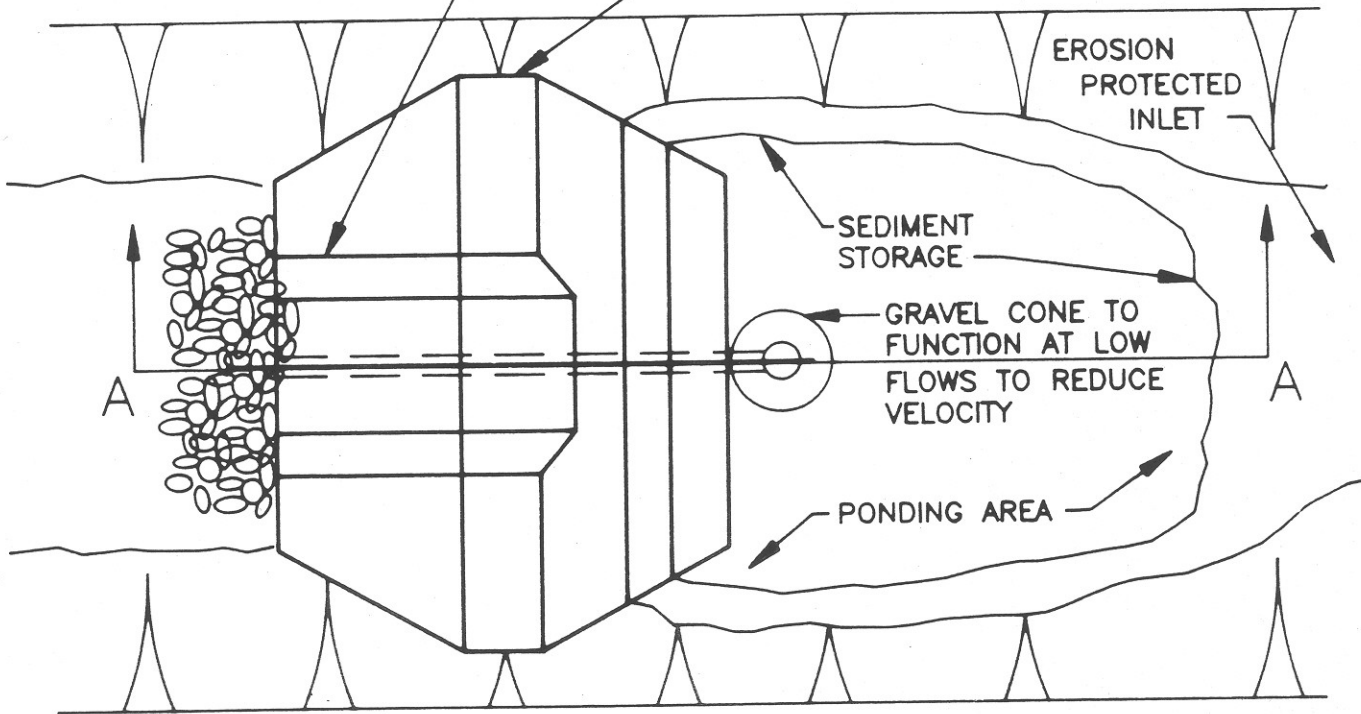
COMPACTED DIKE (90%)

EROSION  
PROTECTED  
INLET

SEDIMENT  
STORAGE

GRAVEL CONE TO  
FUNCTION AT LOW  
FLOWS TO REDUCE  
VELOCITY

PONDING AREA



GRAVEL CONE TO  
FUNCTION AT LOW FLOWS  
TO REDUCE VELOCITY

EROSION PROTECTED  
INLET

COMPACTED  
DIKE (90%)

POSITIVE ATTACHED  
INLET GRATE

60 SECOND RETENTION  
2 YEAR STORM

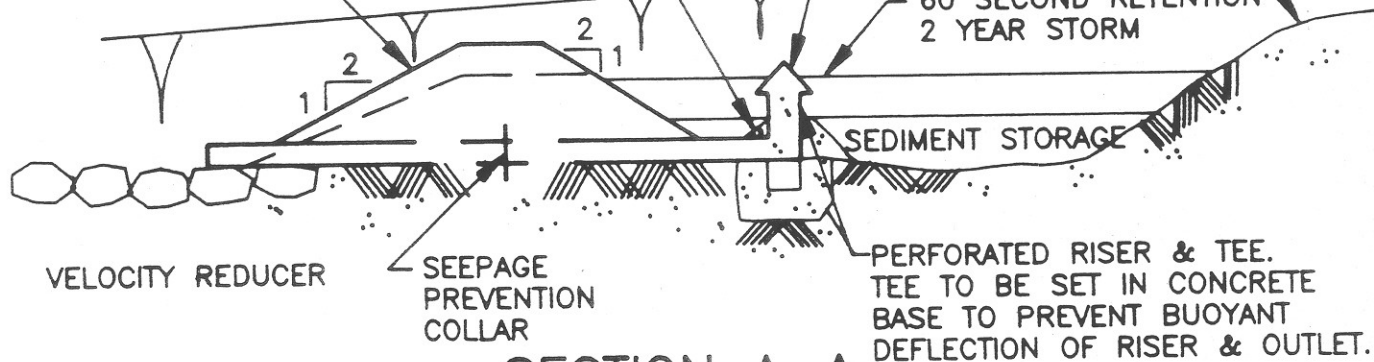
SEDIMENT STORAGE

VELOCITY REDUCER

SEEPAGE  
PREVENTION  
COLLAR

PERFORATED RISER & TEE.  
TEE TO BE SET IN CONCRETE  
BASE TO PREVENT BUOYANT  
DEFLECTION OF RISER & OUTLET.

SECTION A-A



Revision	By	Approved	Date

CITY OF OCEANSIDE

*Ronald A. Beech*

COMPACTED DIKE &  
SILTATION BASIN

CITY ENGINEER 12/2/92 Date

STANDARD  
DRAWING NO. M-16