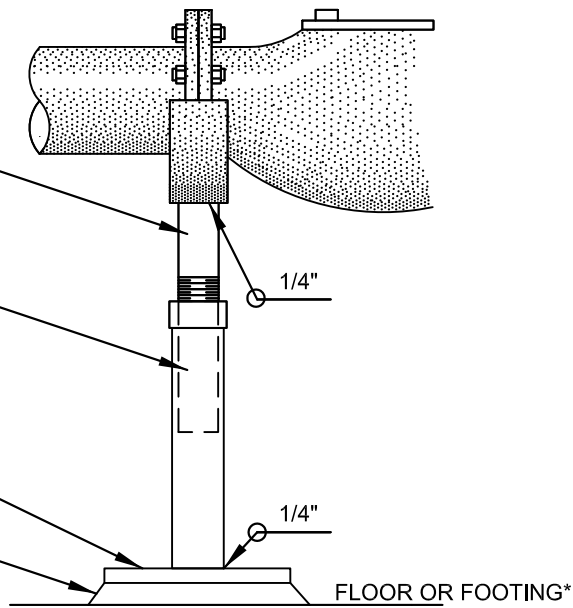


2" POLISHED ALUMINUM

2 1/2" POLISHED ALUMINUM

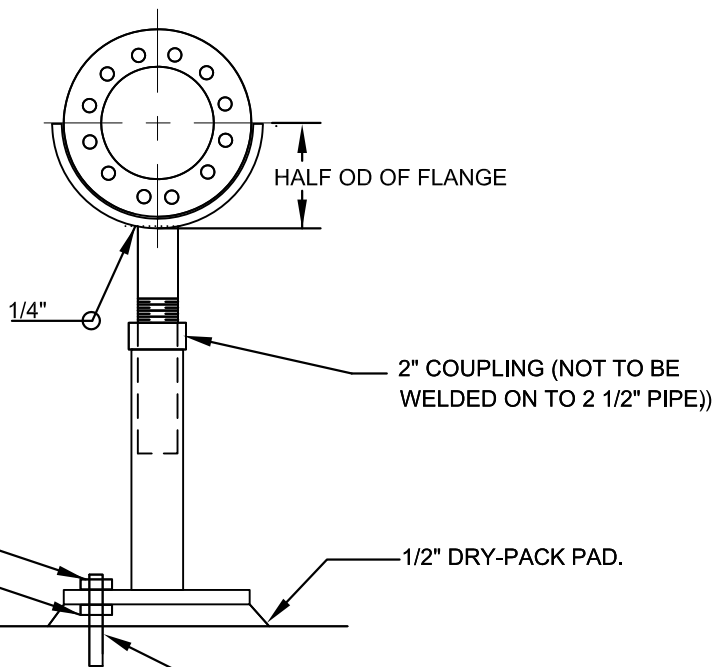
10" x 10" x 1/2" THICK PLATE

BOTTOM OF SUPPORT  
BASE 1/2" ABOVE  
FLOOR - DRY PACK  
VOID



\*WHERE CONCRETE FLOOR DOES NOT EXIST STRUCTURAL DESIGN FOR FOOTING MUST BE SUBMITTED TO THE WATER UTILITIES DEPARTMENT FOR REVIEW AND APPROVAL.

CRADLE SUPPORT THE WIDTH OF BOTH FLANGES. 1/8" X 2" NEOPRENE PAD PLACED BETWEEN THE PIPE AND THE CRADLE SUPPORT. NO METAL TO METAL CONTACT SHALL BE MADE



S.S. NUT TOP & BOTTOM OF BASE PLATE.

2" COUPLING (NOT TO BE WELDED ON TO 2 1/2" PIPE))

1/2" DRY-PACK PAD.

NOTES:

1. PAINT PER W-17.
2. ADJUSTABLE PIPE SUPPORT SHALL BE MANUFACTURED BY GRINNEL, TOLCO, OR APPROVED EQUAL.

TYPE 316 S.S. HILTI OR EQUAL SLEEVE ANCHORS 4 EACH REQUIRED (TYP)

**VALVE SUPPORT DETAIL**

NOT TO SCALE

Revision	By	Approved	Date
10/16/02	DW		
07/12/04	AC		
09/22/10	DW		
01/04/16	MU		
07/01/17	SM		08/01/17

**CITY OF OCEANSIDE**

**VALVE SUPPORT**

*Steven E. Strapan* 9/17/17  
CITY ENGINEER Date

STANDARD DRAWING NO. **W-18**