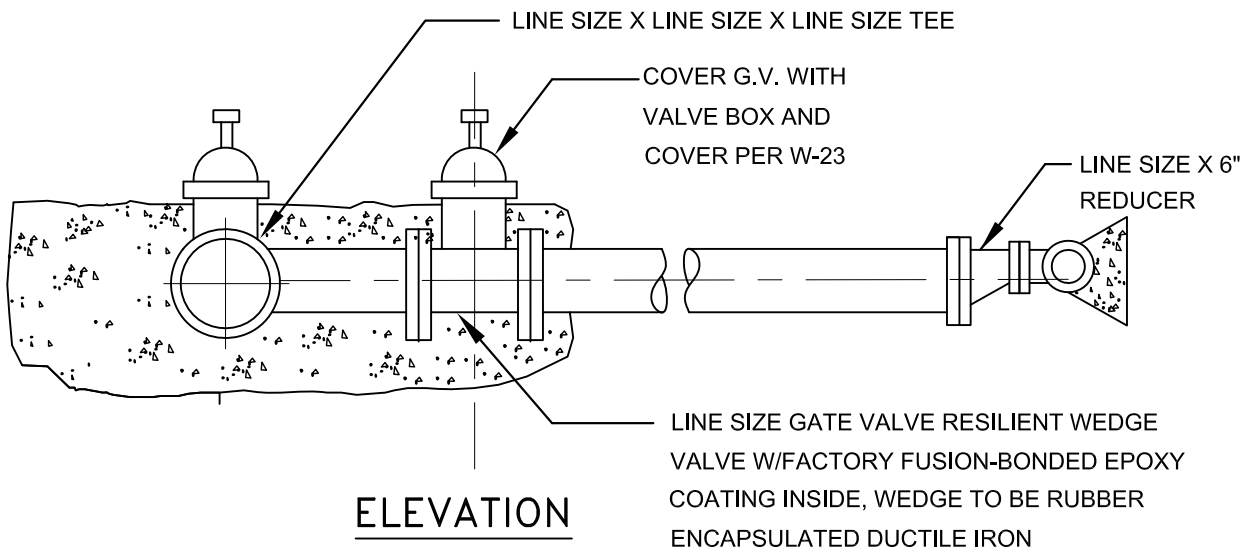
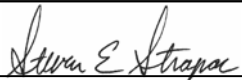


THRUST BLOCK TO BE POURED
AGAINST UNDISTURBED SOIL PER W-27 (TYP.)



NOTES:

1. ALL NUTS & BOLTS TO BE TYPE 316 STAINLESS STEEL.
2. APPLY ANTI-SEIZE TO ALL S.S. BOLT THREADS.
3. ALL VALVES AND FITTINGS TO BE WRAPPED WITH 2 LAYERS OF 8 MIL POLYETHYLENE.
4. ALL FLANGES TO BE PRIMED AND WRAPPED WITH WAX-TAPE.
5. FOR CROSS CONNECTIONS, PROVIDE A GV ON EACH BRANCH FOR TOTAL OF 4 VALVES.

Revision	By	Approved	Date	<p style="text-align: center;">CITY OF OCEANSIDE</p>		
06/14/01	DW					<p>GATED OUTLET ON WATER MAIN</p> <p>FOR FUTURE USE</p>
09/18/02	DW			 9/17/17 CITY ENGINEER Date		
07/19/04	AC			STANDARD DRAWING NO. W-26		
01/04/16	MU					
07/01/17	SM		08/01/17			