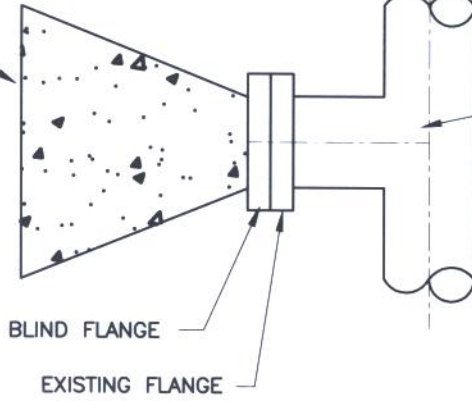


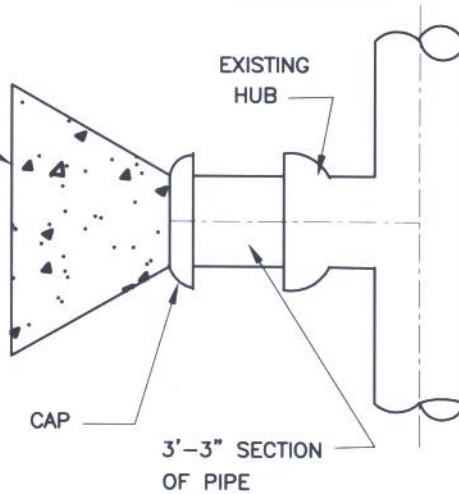
CONCRETE
THRUST BLOCK
W-27



EXISTING
WATER LINE

FLANGED OUTLET

CONCRETE
THRUST BLOCK
PER W-27



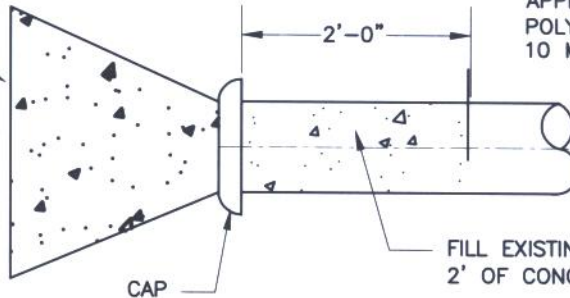
EXISTING PIPE

NOTES

- ALL 2" SERVICE CONNECTIONS AND LARGER MUST BE ABANDONED BY THE PROCEDURES SET BELOW.
1. IF THERE IS A 2" OR LARGER GATE VALVE THAN THE GATE VALVE MUST BE REMOVED AND THE SADDLE PLUGGED WITH A BRASS PLUG. THE SADDLE MUST BE INSPECTED FOR INTEGRITY BY A REPRESENTATIVE OF THE WATER UTILITIES DEPARTMENT.
 2. IN THE CASE OF A CORPORATION STOP THE CORPORATION IS TO BE PLUGGED WITH A BRASS PLUG. THIS MUST BE INSPECTED BY A REPRESENTATIVE OF THE WATER UTILITIES DEPARTMENT.
 3. IN THE CASE OF A BRANCH LINE ABOVE 2", THE VALVE IS TO BE REMOVED AND A BLIND FLANGE INSTALLED. THIS MUST BE INSPECTED BY A REPRESENTATIVE OF THE WATER UTILITIES DEPARTMENT.
 4. WRAP SERVICE SADDLE (IF APPLICABLE) WITH 2 LAYERS OF 8 MIL POLYETHYLENE (P.E.) AND SECURE WITH 10 MIL P.E. TAPE.

HUB END

CONCRETE
THRUST BLOCK
PER W-27



FILL EXISTING PIPE WITH
2' OF CONCRETE MINIMUM

END OF PIPE

| Revision | By | Approved | Date |
|----------|-----|----------|------|
| 11/07/00 | kal | | |
| 06/14/01 | DW | | |
| 09/16/04 | AC | | |
| | | | |
| | | | |

CITY OF OCEANSIDE

**WATER LINE
ABANDONMENT**

M. Tange
CITY ENGINEER
Date
STANDARD
DRAWING NO. **W-28**