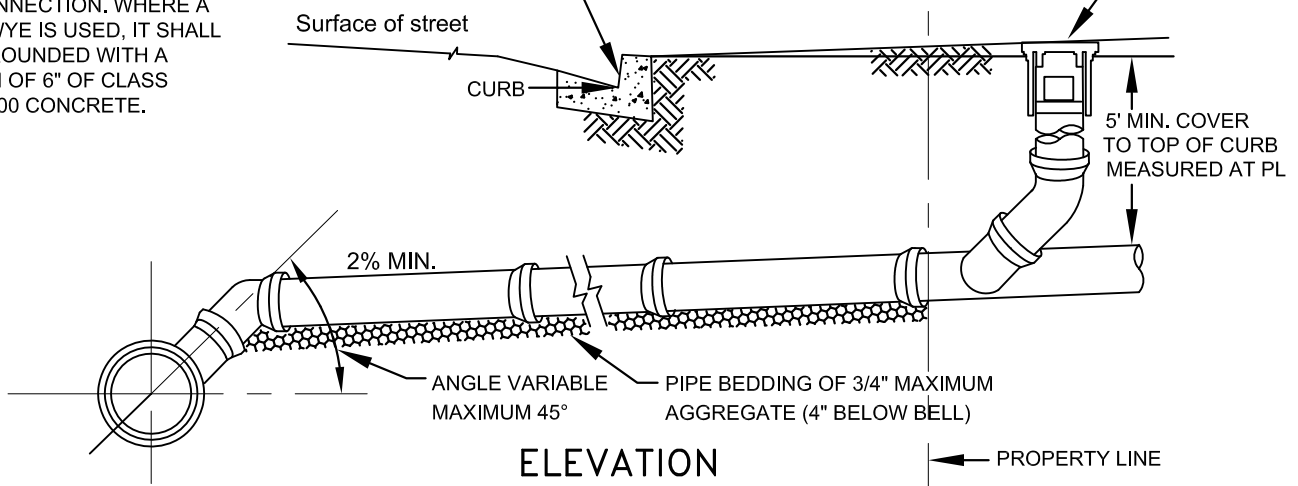


PLAN

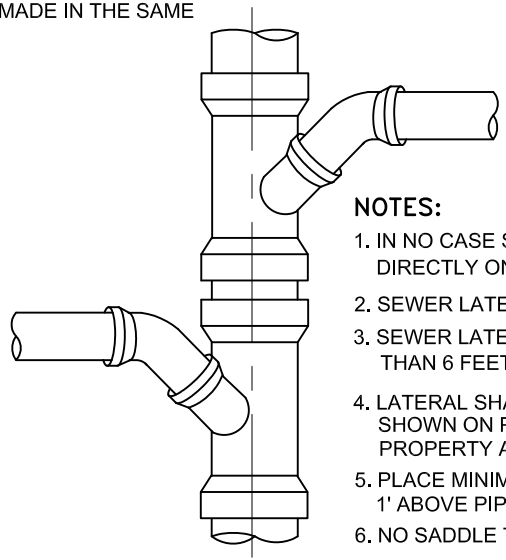
STANDARD WYE OR "CUT-IN" WYE CONNECTION. WHERE A CUT-IN WYE IS USED, IT SHALL BE SURROUNDED WITH A MINIMUM OF 6" OF CLASS 470-C-2000 CONCRETE.

LETTER "S" STAMPED OR CHISELED IN FACE OF CURB NOT LESS THAN 1 1/2" HIGH AND 3/16" DEEP



ELEVATION

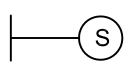
DETAIL SHOWING THE MANNER OF CONNECTING OPPOSITE LATERALS TO A SEWER MAIN. TWO CONNECTIONS SHALL NOT BE MADE IN THE SAME LENGTH OF PIPE



DETAIL

NOTES:

1. IN NO CASE SHALL A LATERAL CONNECT TO THE SEWER MAIN DIRECTLY ON TOP OF THE PIPE.
2. SEWER LATERALS SHALL HAVE A MINIMUM SLOPE OF 2%.
3. SEWER LATERAL PIPE SHALL BE PVC SDR 35, FOR DEPTHS LESS THAN 6 FEET OR GREATER THAN 12 FEET USE PVC SDR 26.
4. LATERAL SHALL EXTEND TO PROPERTY LINE UNLESS OTHERWISE SHOWN ON PLANS. PROVIDE ABOVE-GROUND MARKER ON PRIVATE PROPERTY AT TIME OF BACKFILL.
5. PLACE MINIMUM 3" WIDE DETECTOR TAPE MARKED "SEWER" 1' ABOVE PIPE ALONG ENTIRE LATERAL.
6. NO SADDLE TAPS ARE ALLOWED.
7. SEWER LATERAL INCLUDING WYE CONNECTION IS PROPERTY OWNER'S RESPONSIBILITY.



LEGEND ON PLANS

Revision	By	Approved	Date
04/16/01	kal		
09/27/02	DW		
08/06/04	AC		
01/04/16	MU		
07/01/17	SM		08/01/17

CITY OF OCEANSIDE

**HOUSE CONNECTION
(SEWER LATERAL)**

Steven E. Strapan 9/17/17
 CITY ENGINEER Date
 STANDARD DRAWING NO. **S-3**