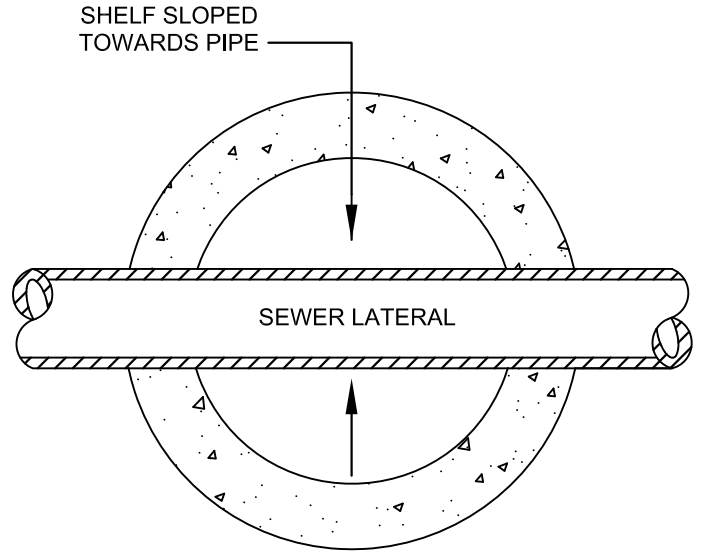


PROFILE

NOTES:

1. THE INTERIOR OF THE MANHOLE SHALL BE COATED WITH SANCON 100, ZEBRON, OR SAUERISEN SEWERGUARD 210S.
2. THE DEPTH OF CHANNEL FORMED BY CONCRETE INVERT SHALL BE 2/3 OF THE DIAMETER OF THE SEWER LATERAL PIPE.
3. THE OWNER WILL HAVE SOLE RESPONSIBILITY FOR MAINTAINING THE MANHOLE IN AN ADEQUATE MANNER SO AS NOT TO BECOME LOST IN THE LANDSCAPE OR INTERFERE WITH EASY INSPECTION AND SAMPLING.
4. THE MANHOLE SHALL BE CONSTRUCTED ON PRIVATE PROPERTY.
5. MANHOLE INSTALLATION IS IN ACCORDANCE WITH CHAPTER 29, SEC. 29.49 CITY OF OCEANSIDE CODE.
6. IF THE MANHOLE DEPTH FROM RIM ELEVATION TO INVERT ELEVATION IS GREATER THAN 4.0 FEET, THE MANHOLE WILL BE INSTALLED CONFORMING IN EVERY DETAIL TO STANDARD DRAWING S-5.
7. MANHOLES ON PRIVATE PROPERTY SHALL BE STAMPED "PRIVATE SEWER"



PLAN

Revision	By	Approved	Date
04/12/01	kal		
10/22/02	DW		
08/30/04	AC		
01/04/16	MU		
07/01/17	SM		08/01/17

CITY OF OCEANSIDE

**INSPECTION
MANHOLE**

Steven E. Strapan 9/17/17
CITY ENGINEER Date
 STANDARD DRAWING NO. **S-7**