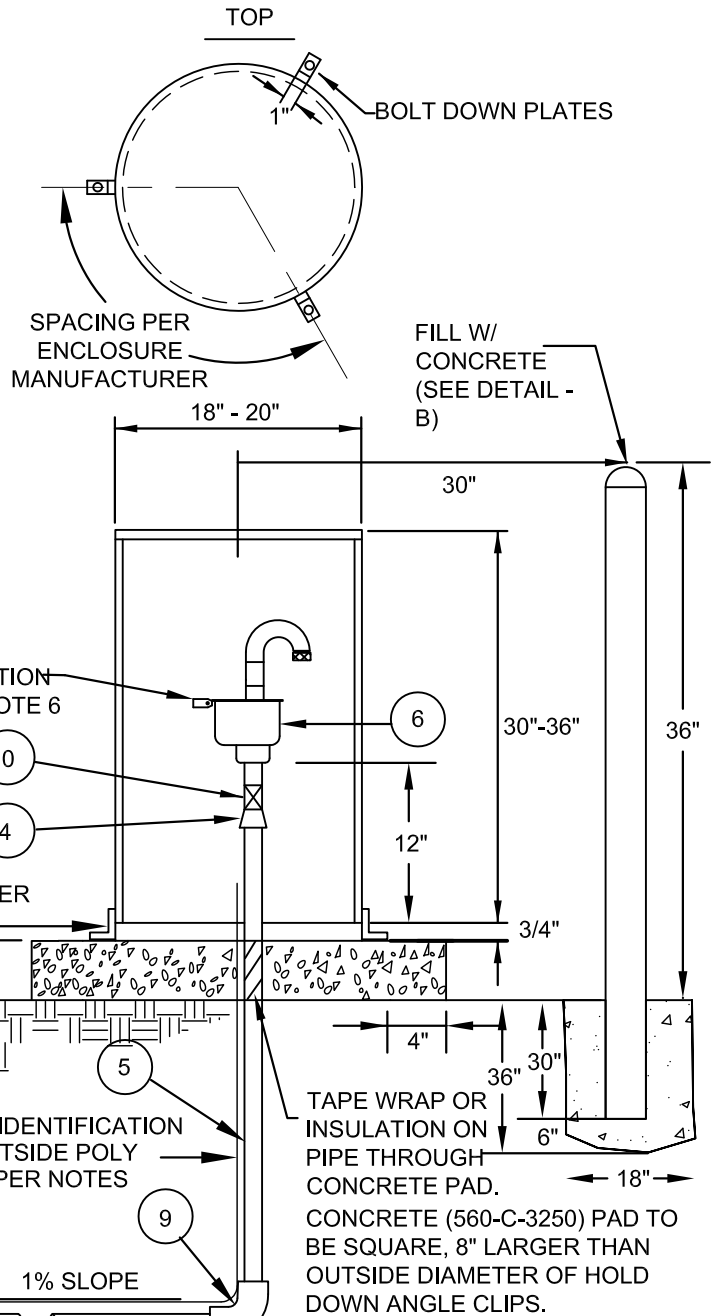


BILL OF MATERIALS

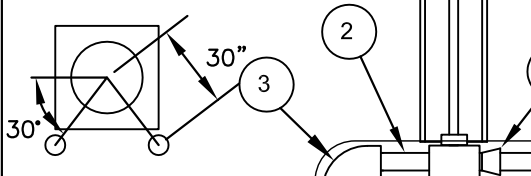
1. BRONZE SERVICE CLAMP JAMES JONES J-979 OR FORD 202-B PROVIDED WITH TWO FLATTED "U" BOLTS MADE OF DURANZE (SILICON BRONZE) OR SIMILAR WITH NEOPRENE SELF SEALING TAPERED GASKET OR "O" RING.
2. 2" x 4" BRASS NIPPLE.
3. 2" THREADED 90° ELBOW
4. 2" COPPER TO M.I.P. ADAPTER.
5. TYPE "K" COPPER TUBING (RIGID).
6. 2" A.R.I. COMBINATION AIR-VAC MODEL D-040 "BARAK" WITH A NON-SLAM, DISCHARGE-THROTTLING ATTACHMENT AND SCREEN
7. NOT USED
8. NOT USED
9. 2" TYPE "K" COPPER 90° ELBOW.
10. 2" BALL VALVE JAMES JONES J-1900 OR FORD B-11.
11. NOT USED
12. VALVE BOX AND COVER PER RW-15.
13. NOT USED

AIR-VACUUM ENCLOSURE



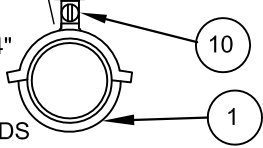
DETAIL-A

CONCRETE PAD TO BE SQUARE, 8" LARGER THAN OUTSIDE DIAMETER OF HOLD DOWN ANGLE CLIPS.



DETAIL-B

INSTALL (2) EACH GALVANIZED STEEL 4" DIAMETER PROTECTION POSTS 30-DEGREES TOWARDS THE STREET. PRIMED AND PAINTED POSTS W/ PROLINE 1000 MARINE ENAMEL HYDRANT YELLOW.



NOTES:

1. BURIED COPPER TO BE ENCASED IN PURPLE 6-MIL POLY SLEEVE, PER SECTION 4.5.
2. AIR RELEASE 3" AND LARGER WILL REQUIRE SPECIAL DESIGN.
3. ALL COPPER JOINTS TO BE SILVER SOLDER.
4. AIR-VACUUM ENCLOSURE BY PIPELINE PRODUCTS MODEL VCAS-1830-PR OR ARMORCAST MODEL P6002002 (PURPLE)
5. IDENTIFICATION TAPE CHRISTY'S MODEL TA-DT-02-PRW
6. IDENTIFICATION TAGS CHRISTY'S MODEL ID-MAX-P2-RC007
7. PAINT ALL PIPING INSIDE COVER SAFETY PURPLE

Revision	By	Approved	Date
04/30/01	kal		
08/05/04	AC		
09-23-10	DW		
09/29/15	IN		
07/01/17	SM		08/01/17

CITY OF OCEANSIDE

2" COMBINATION AIR VALVES

<i>Steven E. Strapac</i>	9/17/17
CITY ENGINEER	Date
STANDARD DRAWING NO.	RW-3