

2" SQUARE OP. NUT

1/8" LOCATING RING  
1/2" SMALLER O.D. THAN  
RISER I.D. WELD 2 SIDES.

PROVIDE VALVE STEM  
EXTENSION WHERE DEPTH  
TO OPERATOR NUT EXCEEDS 9'.

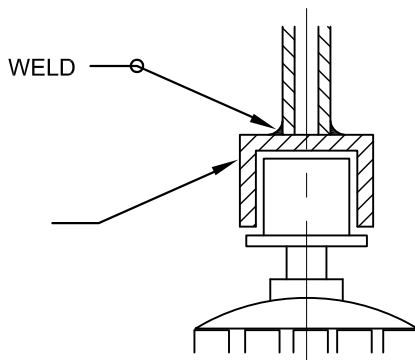
1 1/2" X 1 1/2" SQUARE  
STEEL TUBING 304 S.S.

DETAIL A

BOTTOM OF SDR 35 RESTS ON  
VALVE BONNET OR OPERATOR  
PER RW-15.

RECYCLED WATER MAIN

TYPICAL CROSS SECTION



2 1/2" SQUARE TUBING  
TO FIT OVER 2" VALVE  
OPERATING NUT.

DETAIL A

Revision	By	Approved	Date
06/14/01	DW		
10/18/02	DW		
08/30/04	AC		
07/06/09	DW		
09/30/15	IN		
07/01/17	SM		08/01/17

**CITY OF OCEANSIDE**

**STAINLESS STEEL  
VALVE STEM EXTENSIONS**

*Steven E. Strapac* 9/17/17  
CITY ENGINEER Date

STANDARD  
DRAWING NO. **RW-16**