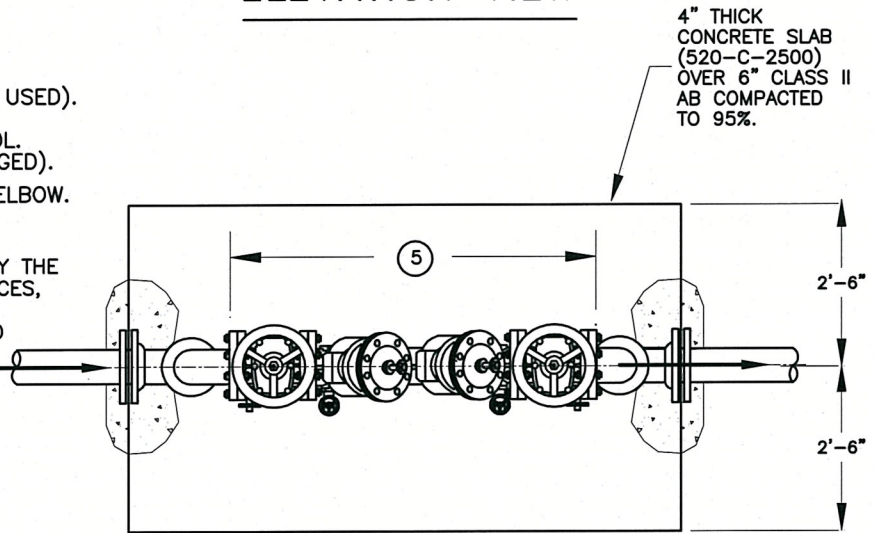


ELEVATION VIEW

NOTES:

1. PRIVATE WATER MAIN.
2. 90° DUCTILE IRON ELBOW: FLG X FLG; FLG X P.O.; (UNI-FLANGE SHALL NOT BE USED).
3. FLANGED DUCTILE IRON SPOOL. (BOTH ENDS SHALL BE FLANGED).
4. 90° FLANGED DUCTILE IRON ELBOW.
5. FACTORY ASSEMBLED.

* ASSEMBLY TO BE APPROVED BY THE DEPARTMENT OF HEALTH SERVICES, OFFICE OF DRINKING WATER. ASSEMBLY SHALL BE INSTALLED DOWNSTREAM OF THE METER WITHIN 18". NO CONNECTION BETWEEN THE METER AND THE ASSEMBLY IS PERMITTED.



PLAN VIEW

THIS ASSEMBLY SHALL BE INSPECTED BY THE WATER UTILITIES DEPARTMENT. AFTER WATER UTILITIES DEPARTMENT'S APPROVAL ASSEMBLY SHALL BE TESTED BY A TESTER ON THE CITY'S APPROVED TESTER LIST. THE DEVELOPER/OWNER IS RESPONSIBLE FOR THE COST OF TESTING THE ASSEMBLY. THERE AFTER, THE ASSEMBLY SHALL BE TESTED ANNUALLY AT THE OWNER'S EXPENSE. THE TEST REPORT IS TO BE SUBMITTED TO THE CITY WATER UTILITIES DEPARTMENT. PHONE NUMBER 760-435-5862

Revision	By	Approved	Date
04/05/01	kal		
06/08/01	DW		
09/17/02	DW		
07/08/04	AC		
06/04/07	AC	<i>[Signature]</i>	<i>7/14/07</i>

CITY OF OCEANSIDE

REDUCED PRESSURE PRINCIPLE ASSEMBLY (3" & LARGER)

[Signature] 2/2007
CITY ENGINEER Date

STANDARD DRAWING NO. **W-13**