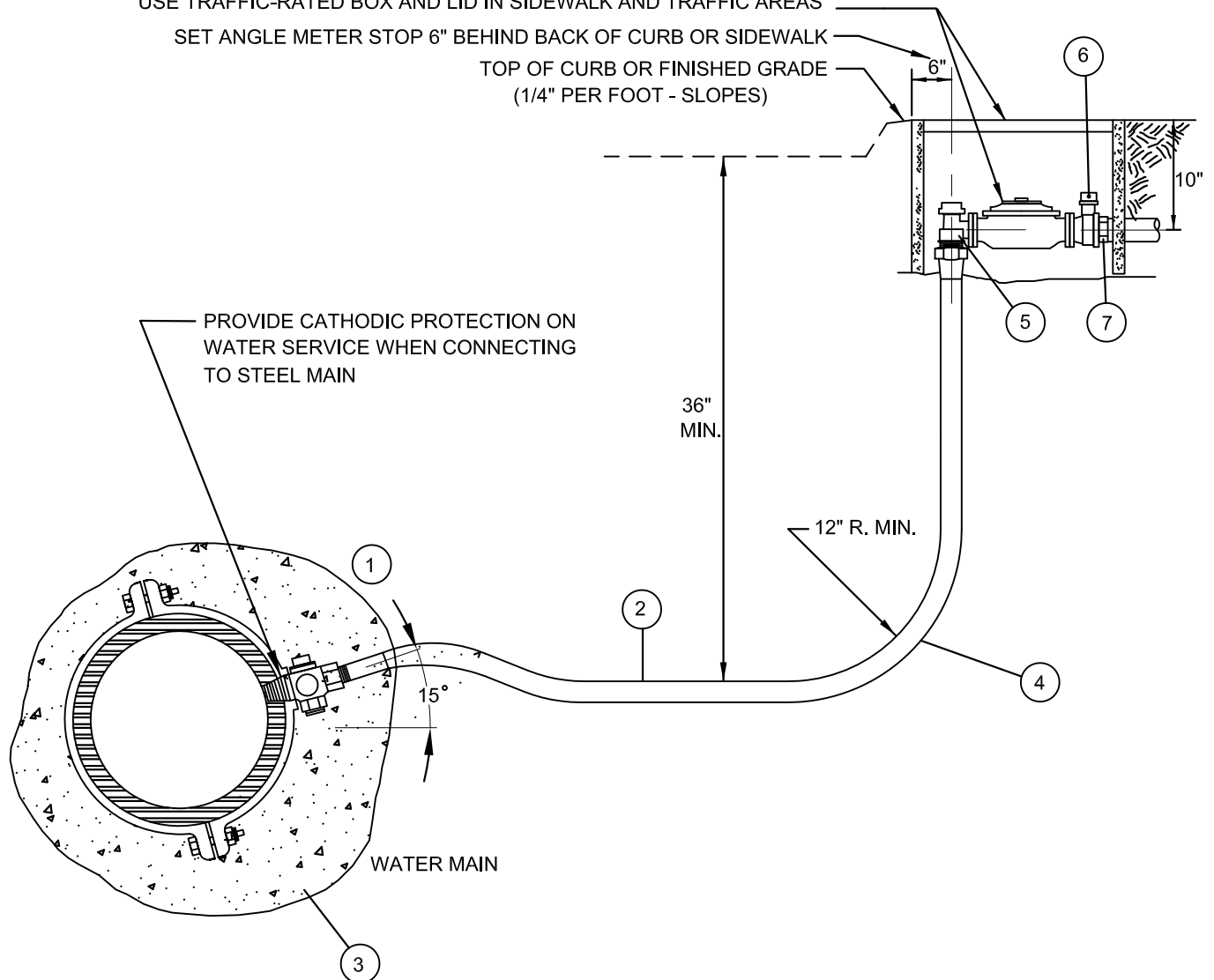


METER & METER BOX TO BE INSTALLED BY CITY FORCES
 USE TRAFFIC-RATED BOX AND LID IN SIDEWALK AND TRAFFIC AREAS
 SET ANGLE METER STOP 6" BEHIND BACK OF CURB OR SIDEWALK
 TOP OF CURB OR FINISHED GRADE
 (1/4" PER FOOT - SLOPES)

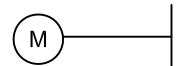


BILL OF MATERIALS:

1. SERVICE SADDLE AND CORPORATION STOP PER SECTION 2.12
2. COPPER TUBING SHALL BE TYPE "K" SEAMLESS SOFT. (NO JOINTS PERMITTED).
3. SERVICES TO BE ENCASED IN 6" SE 30 SAND.
4. BURIED COPPER TO BE ENCASED IN 6 MIL POLY WRAP SLEEVE PER SECTION 2.12.
5. ANGLE STOP (1" x 3/4" OR 1" x 1") MUST BE SIZED PER PROPOSED METER SIZE AND MATERIAL PER SECTION 2.12.
 A 1" x 3/4" ANGLE STOP SHALL BE USED FOR 5/8" METER SIZE.
6. BALL VALVE FURNISHED AND INSTALLED BY CITY FORCES.
7. M.I.P. X FEMALE SLIP PVC ADAPTER FURNISHED AND INSTALLED BY CITY FORCES.

NOTES:

1. TAPS INTO TOP OF WATER MAIN ARE NOT PERMITTED.
2. HOT TAPS BY CITY APPROVED CONTRACTORS ONLY.
3. WATER PORT HOLE CENTERS TO BE INSTALLED 10" BELOW TOP OF METER BOX.
4. THE USE OF BUSHINGS, COUPLINGS, AND REDUCERS ON WATER SERVICE LINE BETWEEN CONNECTION TO MAIN AND WATER METER IS STRICTLY PROHIBITED.



LEGEND ON PLANS

Revision	By	Approved	Date	CITY OF OCEANSIDE	<i>Steven E. Strapac</i> 9/17/17 CITY ENGINEER Date
09/16/02	DW				
07/08/04	AC				
03/05/08	DW				
01/04/16	MU				
07/01/17	SM		08/01/17		