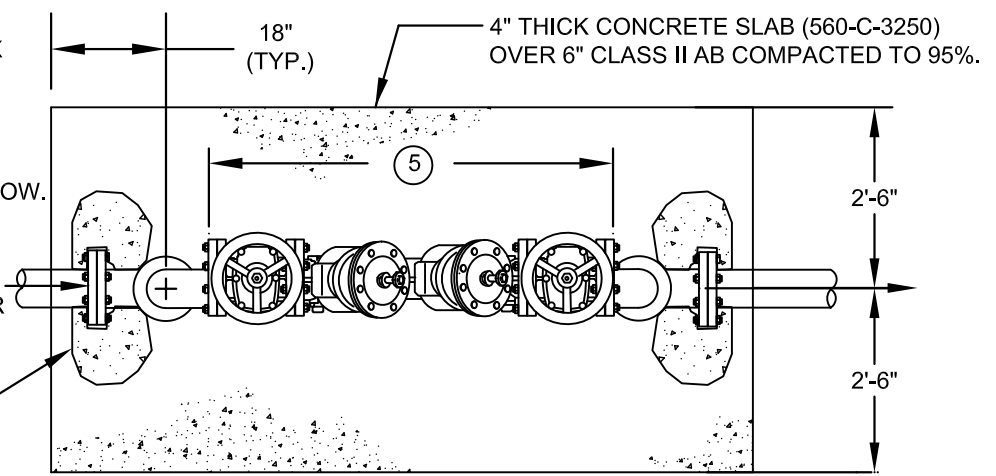


DOUBLE CHECK DETECTOR CHECK ASSEMBLY W/RESILIENT SEATED OS&Y SHUT OFF VALVES WITH A BY-PASS METER

**BILL OF MATERIALS:**

1. PUBLIC WATER MAIN.
2. 90°, DUCTILE IRON ELBOW: FLG X FLG; FLG X PO; (UNI-FLANGE SHALL NOT BE USED).
3. FLANGED DUCTILE IRON SPOOL (BOTH ENDS SHALL BE FLANGED).
4. 90°, FLANGED DUCTILE IRON ELBOW.
5. FACTORY ASSEMBLED.
6. CHAIN & LOCK VALVES IN OPEN POSITION
7. NUTS, BOLTS AND WASHERS PER TYPE 316 SS

THRUST BLOCK PER CITY STANDARD DRAWING W-27 OR A MINIMUM OF 2' X 2' (PLAN VIEW)



**PLAN VIEW**

**NOTES:**

1. ASSEMBLY TO BE APPROVED BY THE CALIFORNIA STATE WATER RESOURCES CONTROL BOARD OFFICE OF DRINKING WATER AND CITY OF OCEANSIDE WATER UTILITIES DEPARTMENT.
2. ASSEMBLY SHALL BE ON STATE OF CALIFORNIA LIST OF APPROVED BACKFLOW PREVENTION ASSEMBLIES FOUND ON UNIVERSITY OF SOUTHERN CALIFORNIA'S FOUNDATION FOR CROSS-CONNECTION CONTROL AND HYDRAULIC RESEARCH.
3. ASSEMBLY SHALL BE INSTALLED IMMEDIATELY DOWNSTREAM OF THE METER WITHIN 18".
4. NO CONNECTIONS BETWEEN THE METER AND THE ASSEMBLY ARE PERMITTED.
5. NUTS, BOLTS, AND WASHERS SHALL BE TYPE 316 STAINLESS STEEL.
6. WHEN DISTANCE BETWEEN THE METER BOX AND THE RISER TO THE ASSEMBLY EXCEEDS 18", PROVIDE PVC SLEEVE 2 TIMES THE DIAMETER OF THE WORKING PIPE OR INSTALL A CASING ENCASED IN CONCRETE. INSPECTION IS REQUIRED PRIOR TO BACKFILL.

THIS ASSEMBLY SHALL BE INSPECTED BY THE WATER UTILITIES DEPARTMENT. AFTER WATER UTILITIES DEPARTMENT'S APPROVAL, ASSEMBLY SHALL BE TESTED BY A TESTER ON THE CITY'S APPROVED TESTER LIST. THE DEVELOPER/OWNER IS RESPONSIBLE FOR THE COST OF TESTING THE ASSEMBLY. AFTER THERE, THE ASSEMBLY SHALL BE TESTED ANNUALLY AT THE OWNER'S EXPENSE. THE TEST REPORT IS TO BE SUBMITTED TO THE CITY WATER UTILITIES DEPARTMENT, CROSS CONNECTION CONTROL AT PHONE NUMBER 760-435-5800.

| Revision | By | Approved | Date     |
|----------|----|----------|----------|
| 06/08/01 | DW |          |          |
| 10/16/02 | DW |          |          |
| 07/08/04 | AC |          |          |
| 05/01/17 | MU |          |          |
| 07/01/17 | SM |          | 08/01/17 |

**CITY OF OCEANSIDE**

**DOUBLE CHECK - DETECTOR CHECK ASSEMBLY**

*Steven E. Strapac* 9/17/17  
CITY ENGINEER Date

STANDARD DRAWING NO. **W-14**