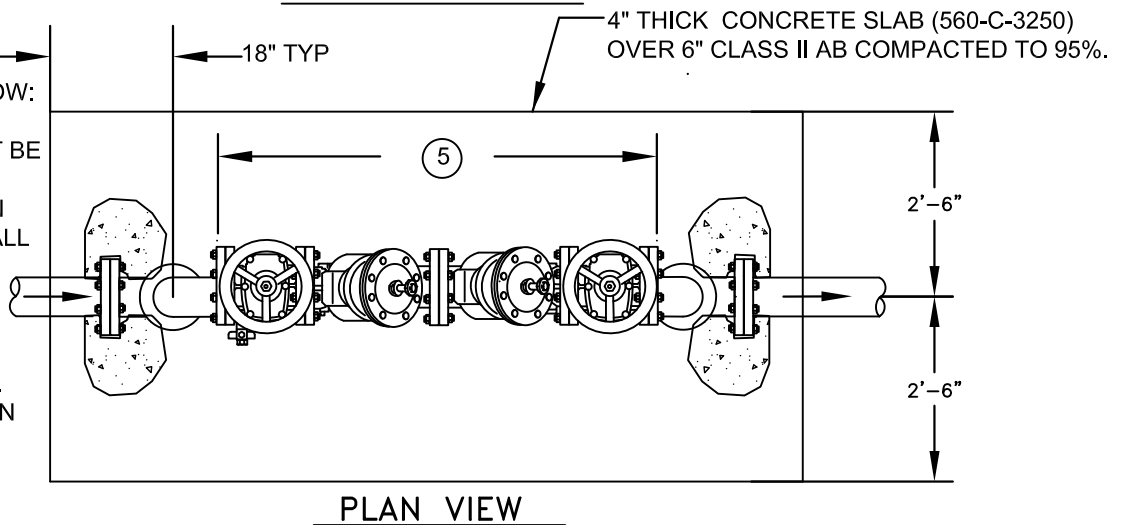


BILL OF MATERIALS:

1. PUBLIC WATER MAIN.
2. 90°, DUCTILE IRON ELBOW: FLG X FLG OR FLG X PO; (UNI-FLANGE SHALL NOT BE USED).
3. FLANGED DUCTILE IRON SPOOL (BOTH ENDS SHALL BE FLANGED).
4. 90°, FLANGED DUCTILE IRON ELBOW.
5. FACTORY ASSEMBLED WITH A BY-PASS METER.
6. CHAIN & LOCK VALVES IN OPEN POSITON



NOTES:

1. ASSEMBLY TO BE APPROVED BY THE CALIFORNIA STATE WATER RESOURCES CONTROL BOARD OFFICE OF DRINKING WATER AND CITY OF OCEANSIDE WATER UTILITIES DEPARTMENT.
2. ASSEMBLY SHALL BE ON STATE OF CALIFORNIA LIST OF APPROVED BACKFLOW PREVENTION ASSEMBLIES FOUND ON UNIVERSITY OF SOUTHERN CALIFORNIA'S FOUNDATION FOR CROSS-CONNECTION CONTROL HYDRAULIC RESEARCH.
3. ASSEMBLY SHALL BE INSTALLED DOWNSTREAM OF THE METER WITHIN 18".
4. NO CONNECTIONS BETWEEN THE METER AND THE ASSEMBLY ARE PERMITTED.
5. NUTS, BOLTS, AND WASHERS SHALL BE TYPE 316 STAINLESS STEEL.
6. WHEN THE DISTANCE BETWEEN THE METER BOX AND THE RISER TO THE ASSEMBLY EXCEEDS 18", PROVIDE PVC SLEEVE 2 TIMES THE DIAMETER OF THE WORKING PIPE OR INSTALL A CASING ENCASED IN CONCRETE. INSPECTION IS REQUIRED PRIOR TO BACKFILL.

THIS ASSEMBLY SHALL BE INSPECTED BY THE WATER UTILITIES DEPARTMENT. AFTER WATER UTILITIES DEPARTMENT'S APPROVAL, ASSEMBLY SHALL BE TESTED BY A TESTER ON THE CITY'S APPROVED TESTER LIST. THE DEVELOPER/OWNER IS RESPONSIBLE FOR THE COST OF TESTING THE ASSEMBLY. THEREAFTER, THE ASSEMBLY SHALL BE TESTED ANNUALLY AT THE OWNER'S EXPENSE. THE TEST REPORT IS TO BE SUBMITTED TO THE CITY WATER UTILITIES DEPARTMENT, CROSS CONNECTION CONTROL AT PHONE NUMBER 760-435-5800.

Revision	By	Approved	Date
08/28/09	DW		
01/04/16	MU		
07/01/17	SM		08/01/17

CITY OF OCEANSIDE

**REDUCED PRESSURE - DETECTOR
CHECK ASSEMBLY**

Steven E. Strapan 9/17/17
CITY ENGINEER Date

STANDARD
DRAWING NO. **W-29**