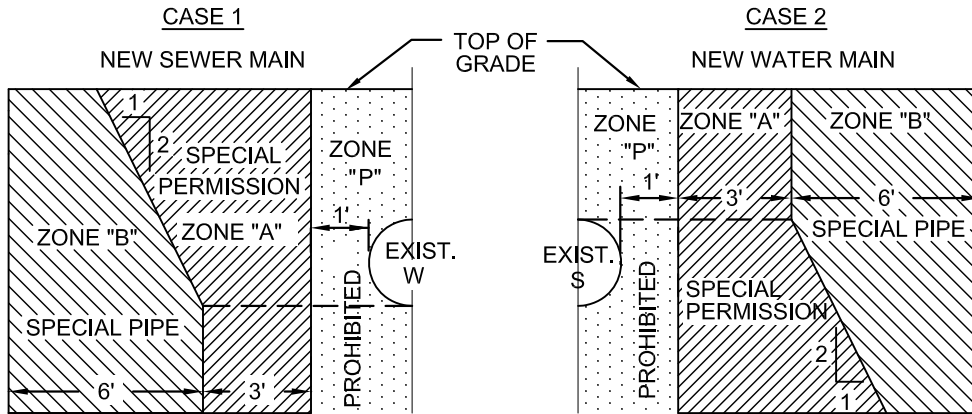


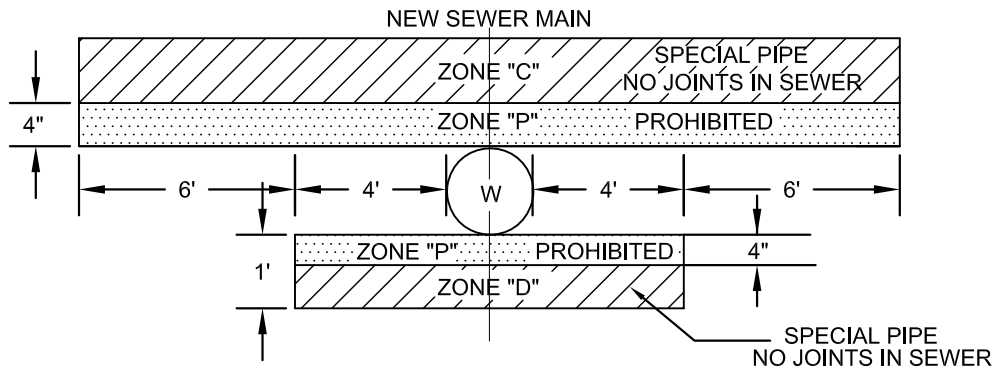
PARALLEL CONSTRUCTION



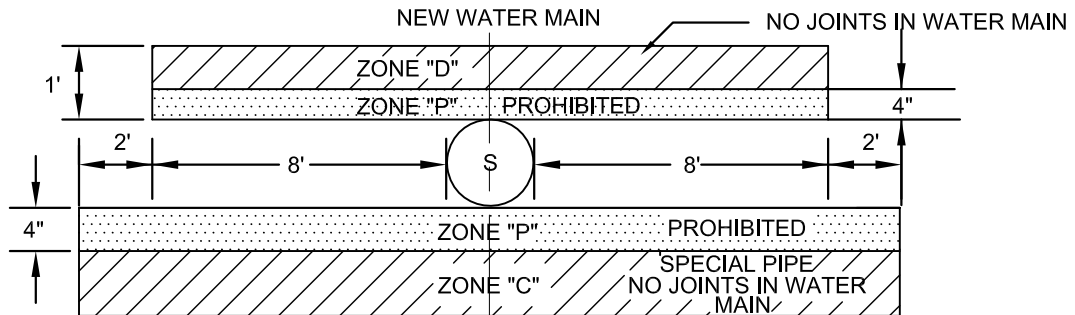
NOTE: ZONES IDENTICAL ON EITHER SIDE OF CENTER LINES.
ZONE "P" IS A PROHIBITED ZONE.

CROSSINGS

CASE 1



CASE 2



NOT TO SCALE

Revision	By	Approved	Date
04/12/01	kal		
09/26/02	DW		
01/04/16	MU		
07/01/17	SM		08/01/17

CITY OF OCEANSIDE

DESIGN CRITERIA FOR SEPARATION OF WATER AND SEWER MAINS

Steven E. Strapan 9/17/17
CITY ENGINEER Date

STANDARD DRAWING NO. **S-1a**