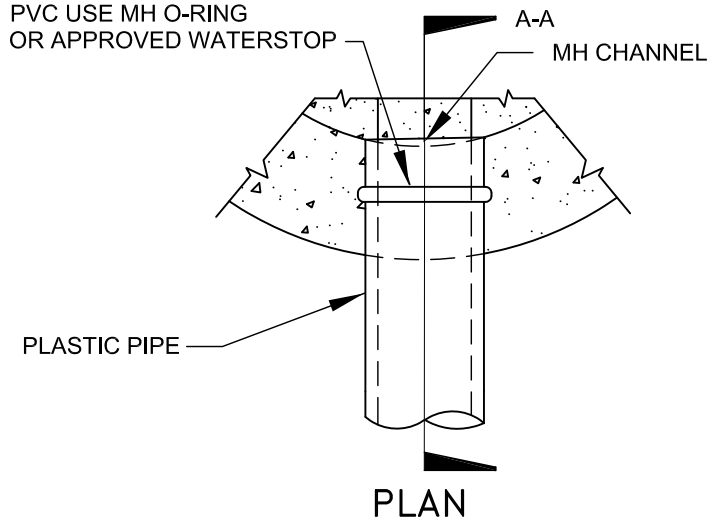
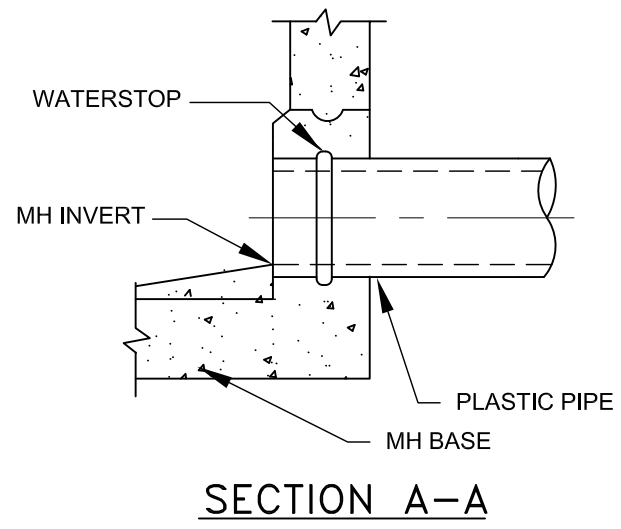


PVC USE MH O-RING OR APPROVED WATERSTOP



**PLAN**



**SECTION A-A**

**MANHOLE CONNECTION DETAILS**

**NOTES:**

1. SEE STD. DWGS. S-5, S-6 & S-7 FOR MANHOLE DETAILS.
2. NORMAL CRUSHED ROCK BEDDING SHALL BE USED FOR DEPTH OF COVER > 4' OR < 17' FOR PVC BEDDING FOR DEPTH OF COVER < 4' OR > 17' TO BE DETERMINED BY THE CITY.
3. CONCRETE ENCASEMENT SHALL BE USED WHERE THE TRENCH WIDTH AT THE UPPER LIMITS OF THE PIPE ZONE EXCEEDS THE MAXIMUM WIDTH SPECIFIED ABOVE.

Revision	By	Approved	Date
04/12/01	kal		
10/18/02	DW		
08/30/04	AC		
01/04/16	MU		
07/01/17	SM		08/01/17

**CITY OF OCEANSIDE**

**PLASTIC SEWER PIPE TRENCH DETAILS**

*Steven E. Strapac* 9/17/17  
CITY ENGINEER Date

STANDARD DRAWING NO. **S-2**