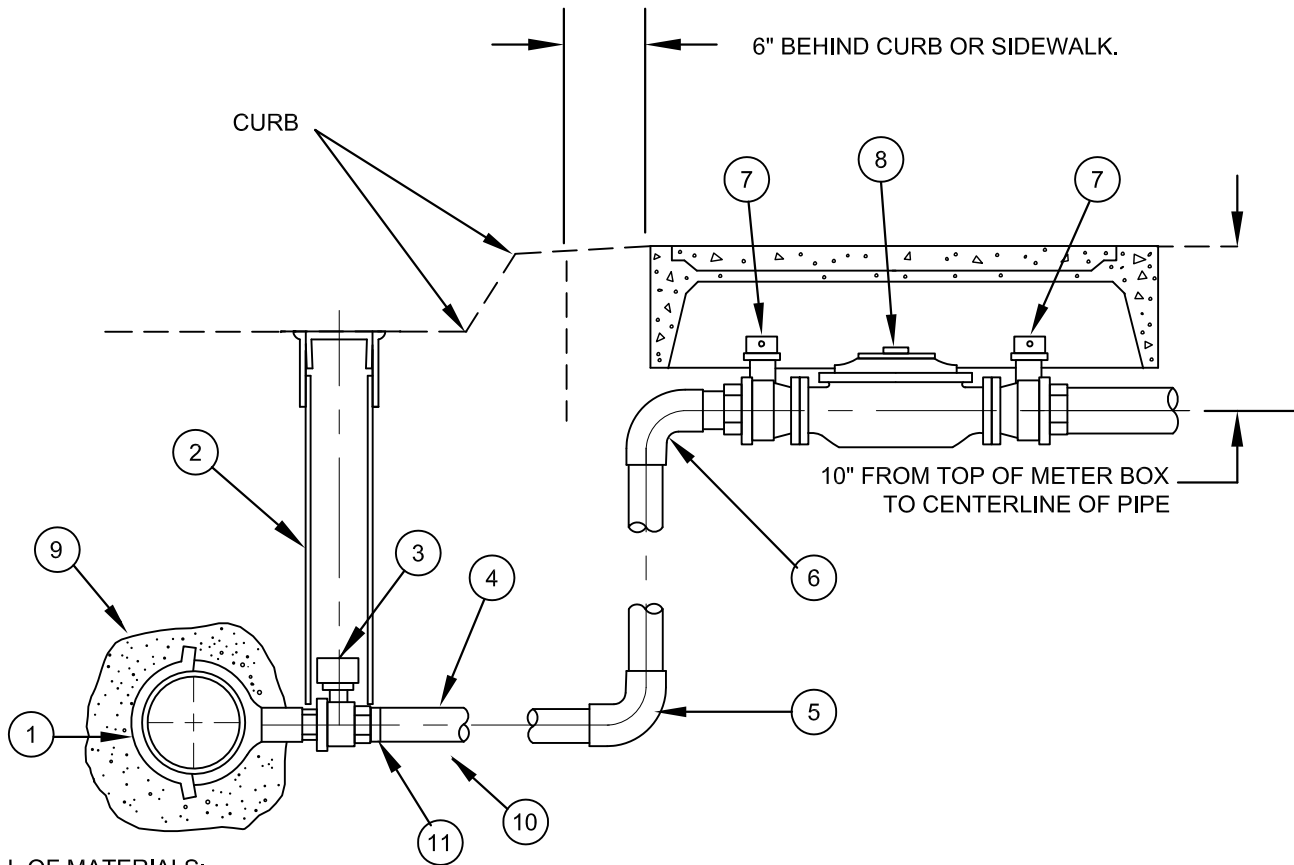


METER BOX & METERS INSTALLED BY CITY FORCES AT CONTRACTORS EXPENSE.

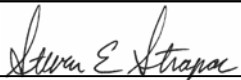


**BILL OF MATERIALS:**

1. BRONZE SERVICE CLAMP JAMES JONES J-979 OR FORD 202-B, C900 PROVIDED WITH WITH TWO FLATTED "U" BOLTS MADE OF DURONZE (SILICON BRONZE) OR SIMILAR WITH NEOPRENE SELF SEALING TAMPERED GASKET OR "O" RING.
2. VALVE BOX AND COVER PER RW-15
3. 1 1/2" OR 2" BRASS CORP, SEE SECTION 4.5 FOR MATERIAL LIST.
4. 1 1/2" OR 2" TYPE "K" COPPER TUBING (RIGID).
5. 1 1/2" OR 2" COPPER TO COPPER 90° ELBOW.
6. 1 1/2" OR 2" COPPER TO M.I.P. 90° ELBOW.
7. 1 1/2" OR 2" FLANGED x SCREW BALL VALVE, JAMES JONES NO. J-1912 OR FORD BF-13. WITH RECYCLED WATER (RW) TEE HEAD
8. 1 1/2" OR 2" RECYCLED WATER METER.
9. BURIED COPPER TO BE ENCASED IN 6" NEUTRAL SAND
10. BURIED COPPER TO BE ENCASED IN PURPLE 6 MIL POLY SLEEVE.
11. M.I.P. X COPPER ADAPTER.

**NOTES:**

1. WHEN REDUCING PIPE SIZE, NO BUSHINGS OR REDUCERS W/THREADSCOPPER REDUCERS WITH SILVER SOLDER.
2. IDENTIFICATION TAPE. CHRISTY'S MODEL TA-DT-02-PRW
3. IDENTIFICATION NAME PLATE. CHRISTY'S MODEL 3800
4. IDENTIFICATION TAGS. CHRISTY'S MODEL ID-MAX-P2-RC007
5. PAINT ALL PIPING & VALVES INSIDE METER BOX SAFETY PURPLE

Revision	By	Approved	Date	<p style="text-align: center;"><b>CITY OF OCEANSIDE</b></p>			<p style="text-align: right;">9/17/17</p>
11/06/00	kal			<p><b>STANDARD 1 1/2" &amp; 2" IRRIGATION SERVICE</b></p>		<p>STANDARD DRAWING NO.      <b>RW-5</b></p>	
08/05/04	AC						
09/29/15	IN						
07/01/17	SM		08/01/17				