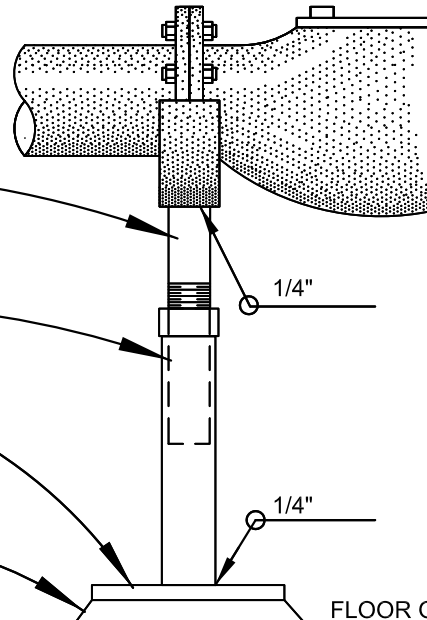


2" POLISHED ALUMINUM

2 1/2" POLISHED ALUMINUM.

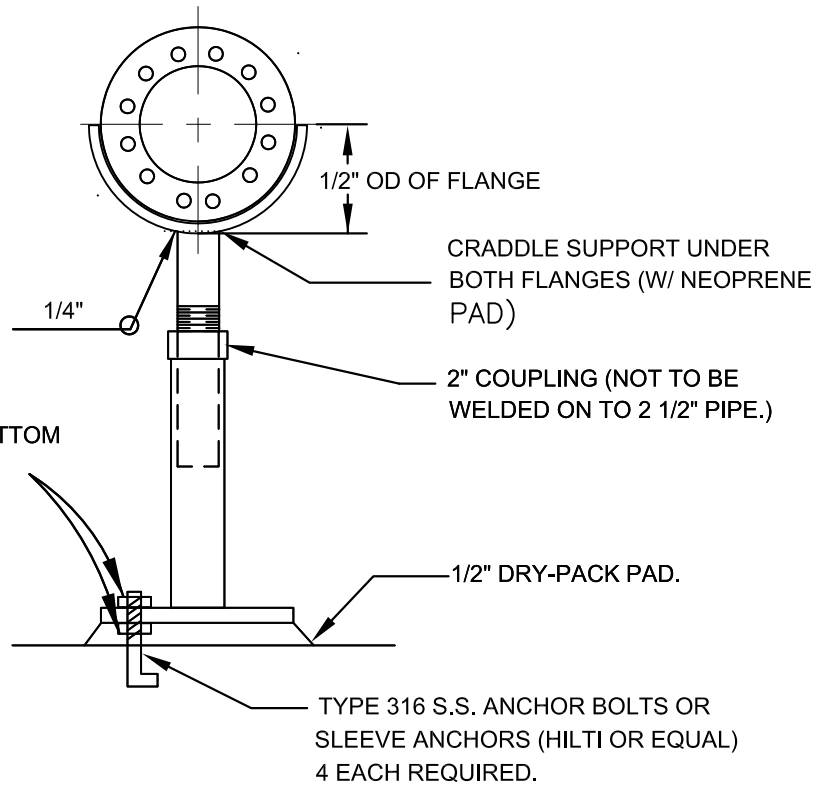
10'0" x 10'0" x 1/2" THICK PLATE

BOTTOM OF SUPPORT BASE 1/2" ABOVE FLOOR - DRY PACK VOID.



FLOOR OF FOOTING*

*WHERE CONCRETE FLOOR DOES NOT EXIST STRUCTURAL DESIGN FOR FOOTING MUST BE SUBMITTED TO THE WATER UTILITIES DEPARTMENT FOR REVIEW AND APPROVAL.



S.S. NUT TOP & BOTTOM OF BASE PLATE.

CRADLE SUPPORT UNDER BOTH FLANGES (W/ NEOPRENE PAD)

2" COUPLING (NOT TO BE WELDED ON TO 2 1/2" PIPE.)

1/2" DRY-PACK PAD.

TYPE 316 S.S. ANCHOR BOLTS OR SLEEVE ANCHORS (HILTI OR EQUAL) 4 EACH REQUIRED.

VALVE SUPPORT DETAIL

NOT TO SCALE

NOTE: PAINT SHALL BE PER SECTION 4 OF THE WATER, SEWER, AND RECYCLED WATER DESIGN & CONSTRUCTION MANUAL

Revision	By	Approved	Date	CITY OF OCEANSIDE	<i>Steven E. Strapac</i> 9/17/17 CITY ENGINEER Date
11/08/00	kal				
08/30/04	AC				
09/23/10	DW				
09/29/15	IN				
07/01/17	SM		08/01/17		