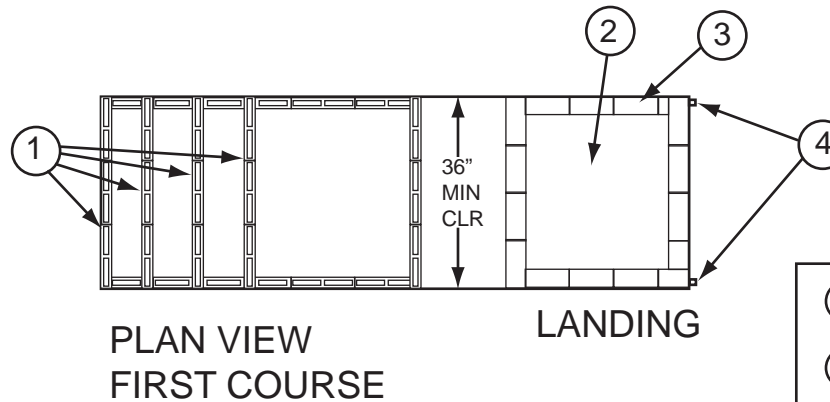
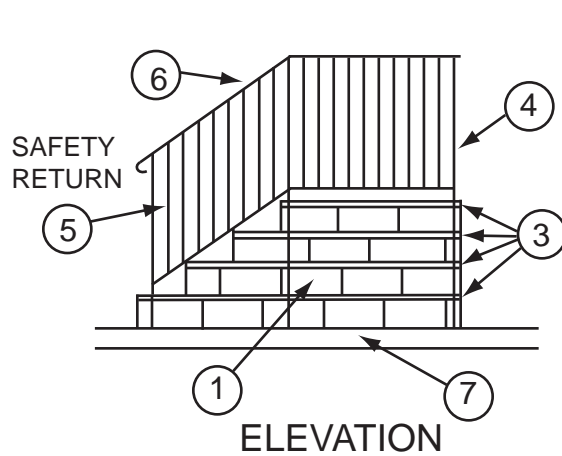


TYPICAL MASONRY STAIR ASSEMBLY

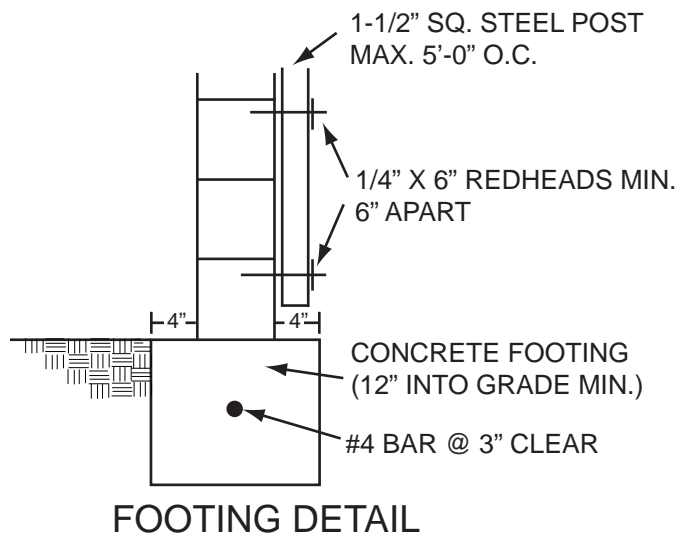
GENERAL NOTES:

1. MAXIMUM RISER HEIGHT = 7.75"
2. MINIMUM TREAD WIDTH = 10"
3. LANDINGS OVER 12 SQ. FT. REQUIRE A PERMIT, ALSO IF MORE THAN 4 RISERS.
4. LANDINGS MUST BE MINIMUM SIZE TO ALLOW AN OUTSWINGING DOOR TO OPEN 90 DEGREES.
5. STAIRS MAY BE SUPPORTED BY EXISTING CONCRETE SLABS. OTHERWISE, A FOOTING WITH ONE NO. 4 REBAR MUST BE PROVIDED.
6. STAIR TREAD AND RISERS SHALL BE OF UNIFORM SIZE AND SHAPE. THE TOLERANCE BETWEEN THE LARGEST AND SMALLEST RISER HEIGHT OR BETWEEN THE LARGEST AND SMALLEST TREAD DEPTH SHALL NOT EXCEED 0.375" OR 3/8" IN ANY FLIGHT OF STAIRS.



LEGEND

- ① 6" x 4" x 16" MIN. BLOCKS GROUT ALL CELLS SOLID
- ② 3-1/2" THICK CONCRETE LANDING MIN 36" x 30"
- ③ 2" x 4" x 16" CAP BLOCK TRIM
- ④ 1-1/2" x 1-1/2" SQ. STEEL TUBE SUPPORTS FOR RAILING
- ⑤ RAILING OF 3/8" SQ. SOLID BARS, SPACED SO AS NOT TO PASS A 4" SPHERE
- ⑥ 1-1/2" SQ. TOP RAIL @ 34" - 38" MAX. ABOVE NOSING
- ⑦ EXISTING 4" THICK CONCRETE SLAB



BUILDING DIVISION

MOBILE HOME MASONRY STAIR STANDARD PLAN

(760) 435-3950

Fax: (760) 435-3926

300 N Coast Hwy, Oceanside CA 92054

10/21/08

Page 1 of 1